

High Performance DisplayPort™ Converter with Single / Dual-LVDS 24-bpp Output

Features

- VESA compliant DisplayPort™ 1.1a receiver
 - 1-lane (1.62Gbps) or 2-lane(2.7Gbps) data rate operation
 - AUX Channel link up to 1Mbps bandwidth
 - eDP content protection
- 24-bpp Single or Dual channel LVDS output
 - Dual-LVDS output up to WUXGA@60 Hz
 - Single-LVDS output up to WXGA@60 Hz
- EMI Suppression
 - 0.5% DP Rx Spread Spectrum Clock (SSC)
 - LVDS Tx SSCG up to $\pm 1.57\%$
- Programmable LVDS power sequencing and dimming control support
- Designed for AMD Fusion APU-based platforms
 - Low jitter differential clock input
 - VESA standard DDC interface
 - Chip ID and OUI support
- Programmable GPIOs for various control signals
- Low power design supporting several power saving modes

- Low BoM cost, no local MCU required
 - Fully controllable via DisplayPort™ through AUX channel
- Selectable 3.3 / 1.2 V, or 2.5 / 1.2V operation
- JTAG supported for board level debug
- Package
 - 64-pin QFN
 - RoHS compliant and Halogen free

ANX3110 is a low cost high quality DisplayPort™ to LVDS converter offering up to 24-bits per pixel and single/dual channel LVDS output support. It provides seamless connection between AMD Fusion APU-based DisplayPort™ and existing LVDS displays.

Featuring low power and EMI reduction techniques, combined with its low cost and small form factor, the ANX3110 is for AMD Fusion APU-based platforms such as notebooks, tablets, AIO PCs, monitors and other embedded systems.

Please refer to the part ordering and related products information.

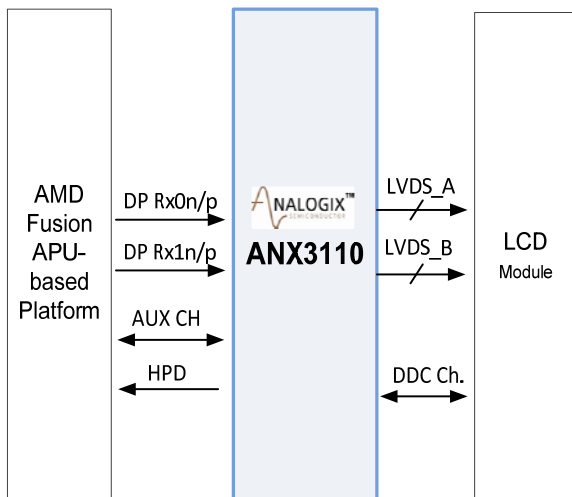


Figure 1: Typical Application System Block Diagram

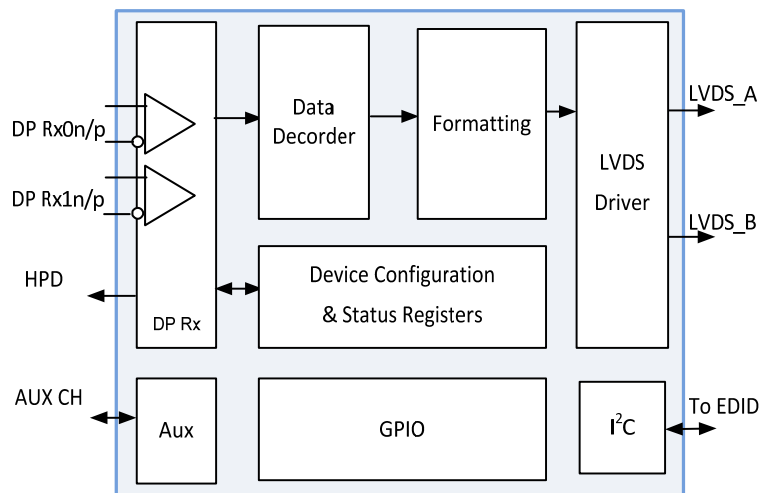


Figure 2: Chip Functional Block Diagram

Parts Ordering Information

Part No.	Description	Availability
ANX3110	Ultra-Low Power DisplayPort™ Converter with LVDS Output	Now
ANX3110_EV	ANX3110 Evaluation Kit	Now

Analogix Related Products

Part No.	Description	Availability
ANX9834	Ultra-Low Power DisplayPort™ Receiver with VGA and LVDS Output	Now
ANX9804	DVO/LVTTL(24-bit input) to DisplayPort™ 1.1a or HDMI™ 1.3 Transmitter with HDCP 1.3 content protection	Now
ANX9805	DVO/LVTTL(18-bit input) to DisplayPort™ 1.1a or HDMI™ 1.3 Transmitter with HDCP 1.3 content protection	Now
ANX9830	DisplayPort™ to HDMI™/DVI Converter	Now
ANX9832	DisplayPort™ to VGA Converter	Now

Copyright ©2011 Analogix Semiconductor, Inc.
3211 Scott Blvd., Suite 102
Santa Clara, CA 95054, USA

(+1) 408-988-8848

<http://www.analogix.com>

©2011 Analogix Semiconductor, Inc. All Rights reserved.

THE INFORMATION CONTAINED IN THIS DOCUMENT IS PROVIDED "AS IS" WITHOUT ANY EXPRESS REPRESENTATIONS OF WARRANTIES. IN ADDITION, ANALOGIX SEMICONDUCTOR INC. DISCLAIMS ALL IMPLIED REPRESENTATIONS AND WARRANTIES, INCLUDING ANY WARRANTY OF MERCHANTABILITY, FITNESS FOR A PARTICULAR PURPOSE, OR NON-INFRINGEMENT OF THIRD PARTY INTELLECTUAL PROPERTY RIGHTS. SPECIFICATION IS SUBJECT TO CHANGE WITHOUT NOTICE.

This document contains proprietary information of Analogix Semiconductor, Inc. or under license from third parties. No part of this document may be reproduced in any form or by any means or transferred to any third party without the prior written consent of Analogix Semiconductor, Inc. The information contained in this document is not designed or intended for use in on-line control of aircraft, aircraft navigation or aircraft communications; or in the design, construction, operation or maintenance of any nuclear facility. Analogix disclaims any express or implied warranty of fitness for such uses.

Analogix Semiconductor, Inc., the Analogix Logo, and WideEye™ SerDes, SlimPort™ and CoolHD™ are trademarks of Analogix Semiconductor, Inc., in the United States and other countries.

HDMI, the HDMI logo and High-Definition Multimedia Interface are trademarks or registered trademarks of HDMI Licensing LLC.

DisplayPort and the DisplayPort logo are trademarks or registered trademarks of the Video Electronics Standards Association, VESA®.

All other trademarks and registered trademarks are the property of their respective owners.