



偉詮電子股份有限公司  
**Weltrend Semiconductor, Inc.**

---

**WT7502**

**PC POWER SUPPLY SUPERVISOR**  
**Data Sheet**

**REV. 1.01**

**Feb. 26, 2008**

**The information in this document is subject to change without notice.  
©Weltrend Semiconductor, Inc. All Rights Reserved.**

---

新竹市科學工業園區工業東九路24號2樓  
2F, No. 24, Industry E. 9<sup>th</sup> RD., Science-Based Industrial Park, Hsin-Chu, Taiwan  
TEL:886-3-5780241 FAX:886-3-5794278.5770419  
Email:support@weltrend.com.tw

## GENERAL DESCRIPTION

The WT7502 provides protection circuits, power good output (PGO), fault protection latch (FPOB), and a protection detector function (PSONB) control. It can minimize external components of switching power supply systems in personal computer.

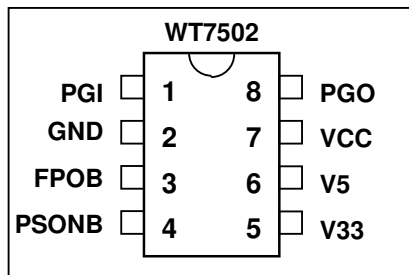
The Over / Under Voltage Detector (OVD / UVD) monitors V33, V5 and VCC input voltage level. When OVD or UVD detect the fault voltage level, the FPOB is latched HIGH and PGO go low. When PGI detect the fault voltage level, the FPOB would be kept LOW and PGO go low. The latch can be reset by PSONB go HIGH. There is 3.5 ms delay time for PSONB turn off FPOB.

When PGI and OVD and UVD detect the right voltage level, the power good output (PGO) will be issue.

## FEATURES

- The Over / Under Voltage Detector (OVD / UVD) monitors V33, V5 and VCC input voltage.
- Both of the power good output (PGO) and fault protection latch (FPOB) are Open Drain Output.
- 75 ms time delay for UVD.
- 300 ms time delay for PGO.
- 38 ms for PSONB input signal De-bounce.
- 73 us for PGI / UVD internal signal De-glitches.
- 55 us for OVD internal signal De-glitches.
- 3.5 ms time delay for PSONB turn-off FPOB.
- The UVD would be disabled when PGI < 1.2V.

## PIN ASSIGNMENT AND PACKAGE TYPE



## ORDERING INFORMATION

PACKAGE	8-Pin Plastic DIP	8-Pin Plastic SOP	CHIP
	WT7502-N084	WT7502-S084	WT7502-HXXX
Lead-Free (Pb)	WT7502-N084 Pb	WT7502-S084 Pb	

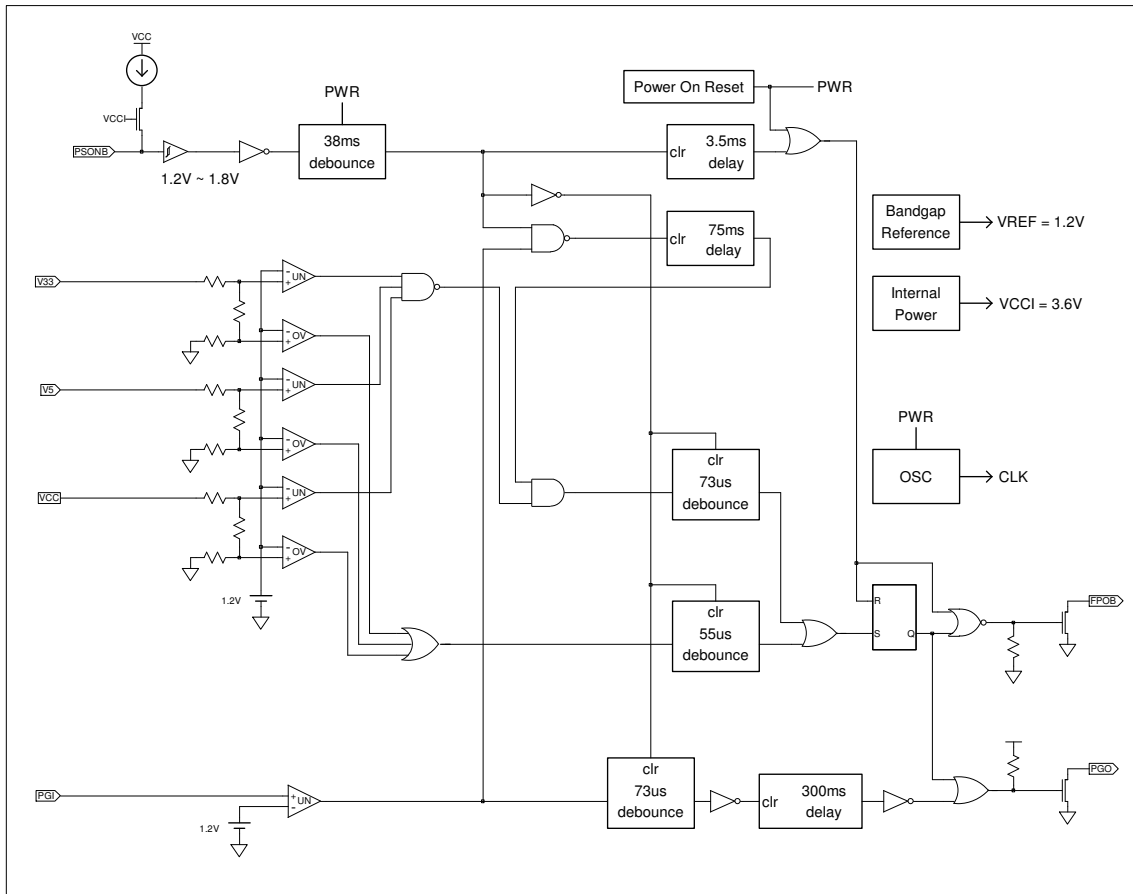
※ The Top-Side Marking would be added a dot (●) in the right side for lead-free package.

## PIN DESCRIPTION

Pin Name	TYPE	Description
PGI	I	Power good input signal pin
GND	P	Ground
FPOB	O	Fault protection output pin, open drain output
PSONB	I	On/Off switch input
V33	I	3.3V over voltage & under voltage & over current sense input pin
V5	I	5V over voltage & under voltage & over current sense input pin
VCC	I	Power supply
PGO	O	Power good output signal pin, open drain output

## BLOCK DIAGRAM

### WT7502



**ABSOLUTE MAXIMUM RATINGS**

Parameter		Min.	Max.	Unit
Supply voltage, VCC		-0.3	16	V
Input voltage	PGI, PSONB, V5, V33	-0.3	VCC + 0.3 (Max. 7V)	V
Output voltage	PGO	-0.3	7	V
	FPOB	-0.3	16	V
Operating temperature		-40	125	°C
Storage temperature		-55	150	°C

\*Note: Stresses above those listed may cause permanent damage to the devices

**RECOMMENDED OPERATING CONDITIONS**

Parameter		Conditions	Min.	Typ.	Max.	Unit
Supply voltage, VCC			4	12	15	V
Input voltage	PGI, PSONB, V5, V33				7	V
Output voltage	PGO				7	V
	FPOB				15	V
Output sink current	FPOB	0.3V			10	mA
	PGO	0.3V			10	mA
Supply voltage rising time			1			ms

**ELECTRICAL CHARACTERISTICS, at Ta=25°C and VCC=5V.**
**Over Voltage Detection**

Parameter		Condition	Min.	Typ.	Max.	Unit
Over voltage threshold	V33		3.7	3.9	4.1	V
	V5		5.7	6.1	6.2	V
	VCC		12.9	13.4	13.9	V
I <sub>LEAKAGE</sub> Leakage current (FPOB)	V(FPOB) = 5V		5			uA
V <sub>OL</sub> Low level output voltage (FPOB)		I <sub>sink</sub> = 10mA			0.3	V
		I <sub>sink</sub> = 30mA			0.7	

**Under Voltage Detection · PGI · PGO**

Parameter		Condition	Min.	Typ.	Max.	Unit
Under voltage threshold	V33		2.55	2.69	2.83	V
	V5		4.1	4.3	4.47	V
	VCC		8.8	9.3	9.8	V
Input threshold voltage (PGI)			1.16	1.20	1.24	V
I <sub>LEAKAGE</sub> Leakage current (PGO)	PGO = 5V		5			uA
V <sub>OL</sub> Low level output voltage(PGO)		I <sub>sink</sub> = 10mA			0.3	V

**PSONB**

Parameter		Condition	Min.	Typ.	Max.	Unit
Input pull-up current		PSONB= 0V		150		uA
High-level input voltage			1.8			V
Low-level input voltage					1.2	V

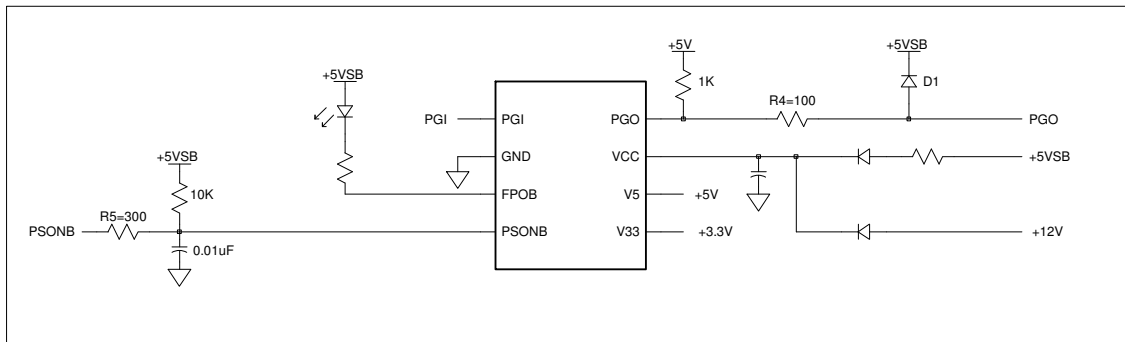
### TOTAL DEVICE

Parameter	Condition	Min.	Typ.	Max.	Unit
Icc Supply current	PDON_N= 5V			1	mA
Vcc start-up voltage			3.6		V
Vcc stop voltage after start-up			3.0		V

### SWITCHING CHARACTERISTICS, Vcc=5V

Parameter	Condition	Min.	Typ.	Max.	Unit
t <sub>db1</sub> De-bounce time (PSONB)		24	38	52	mS
t <sub>delay1</sub> Delay time (PGI to PGO)		200	300	400	mS
t <sub>db2</sub> De-bounce time (PSONB)		24	38	52	mS
t <sub>g1</sub> De-glitch time for PGI		47	73	100	uS
t <sub>g2</sub> De-glitch time for UVD		47	73	100	uS
t <sub>g3</sub> De-glitch time for OVD		35	55	75	uS
t <sub>delay2</sub> PSONB to FPOB delay time		t <sub>db2</sub> +2.0	t <sub>db2</sub> +3.5	t <sub>db2</sub> +5.0	mS
t <sub>delay3</sub> Internal UVD delay time	After FPOB go low & every time PGI > 1.2V	49	75	100	mS

### APPLICATION CIRCUIT

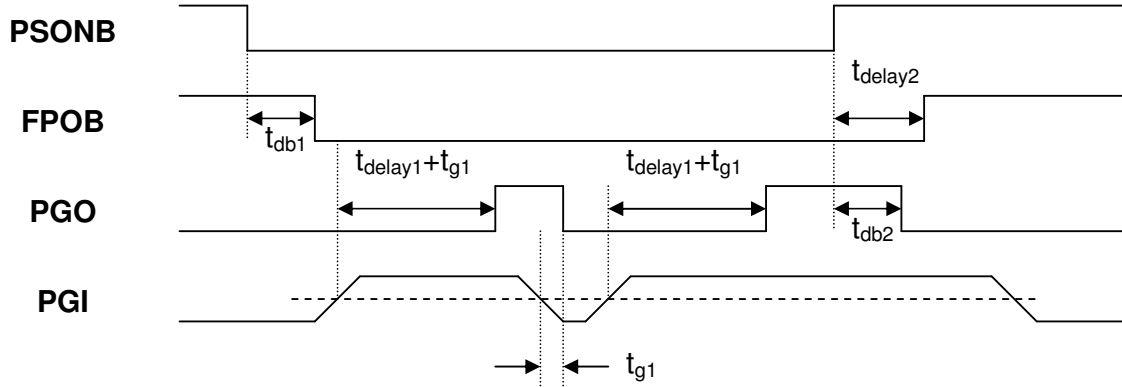


NOTE1 : The series resistor R5 at PSONB can not be omitted. ( R0 = 300Ω is suggested )

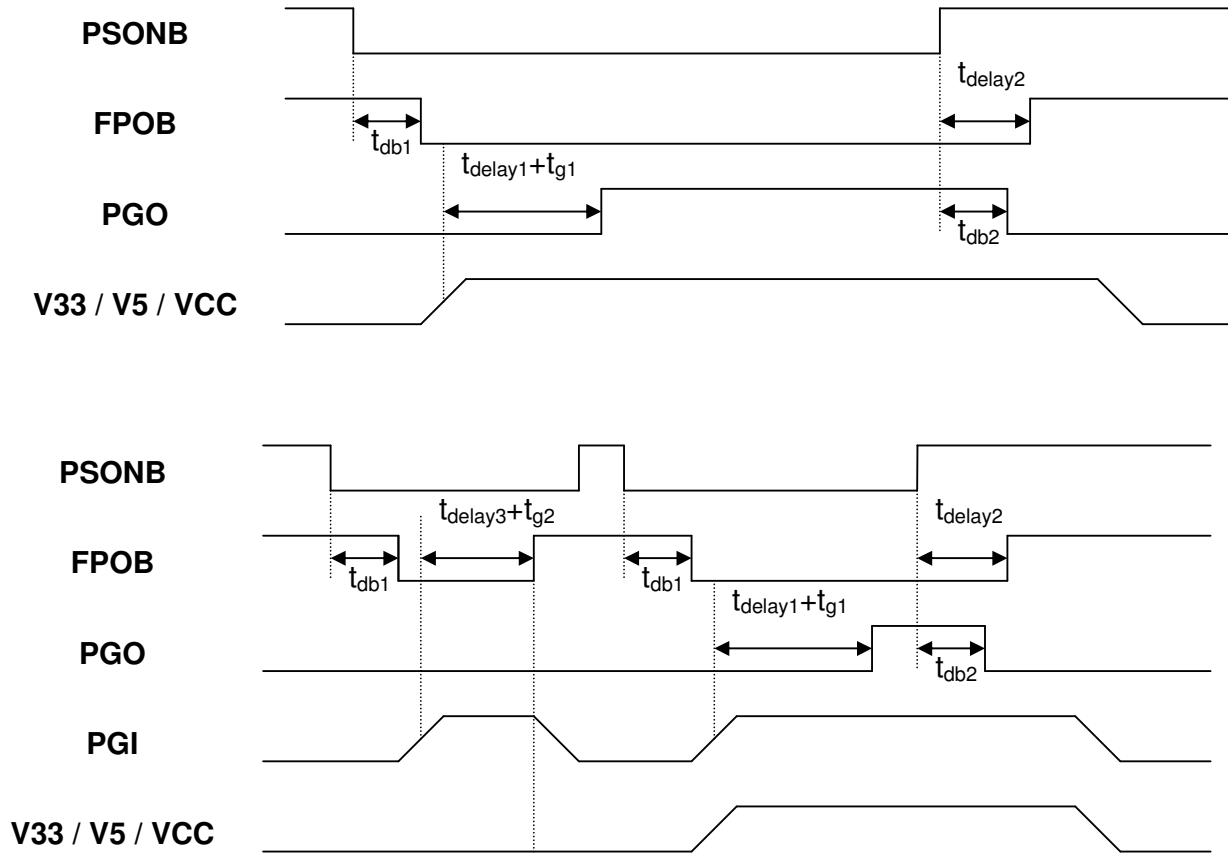
NOTE2 : The series resistor R4 = 100Ω and diode D1 at PGO is suggested.

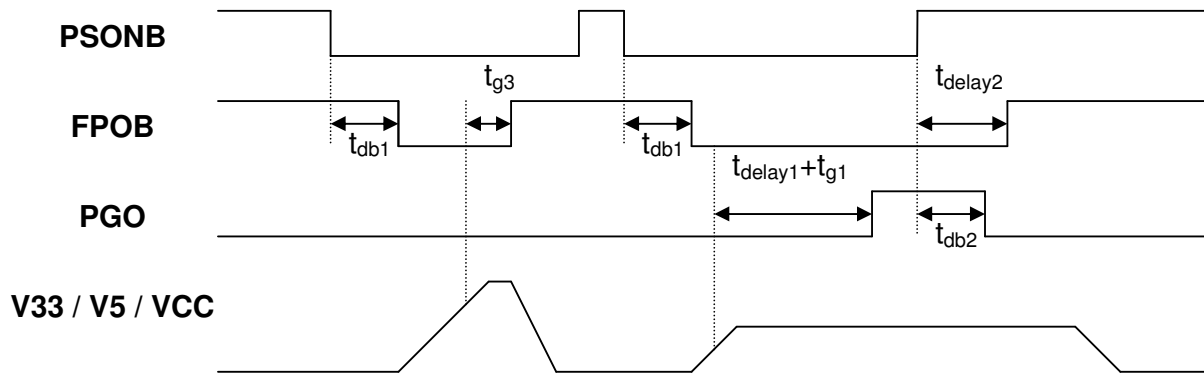
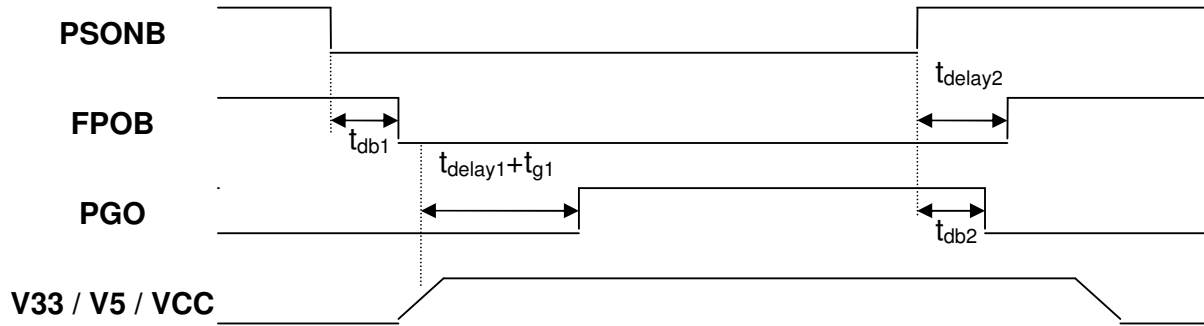
**APPLICATION TIMMING**

**1.) PGI (UNDER\_VOLTAGE) :**



2.) V33 / V5 / VCC UVD :

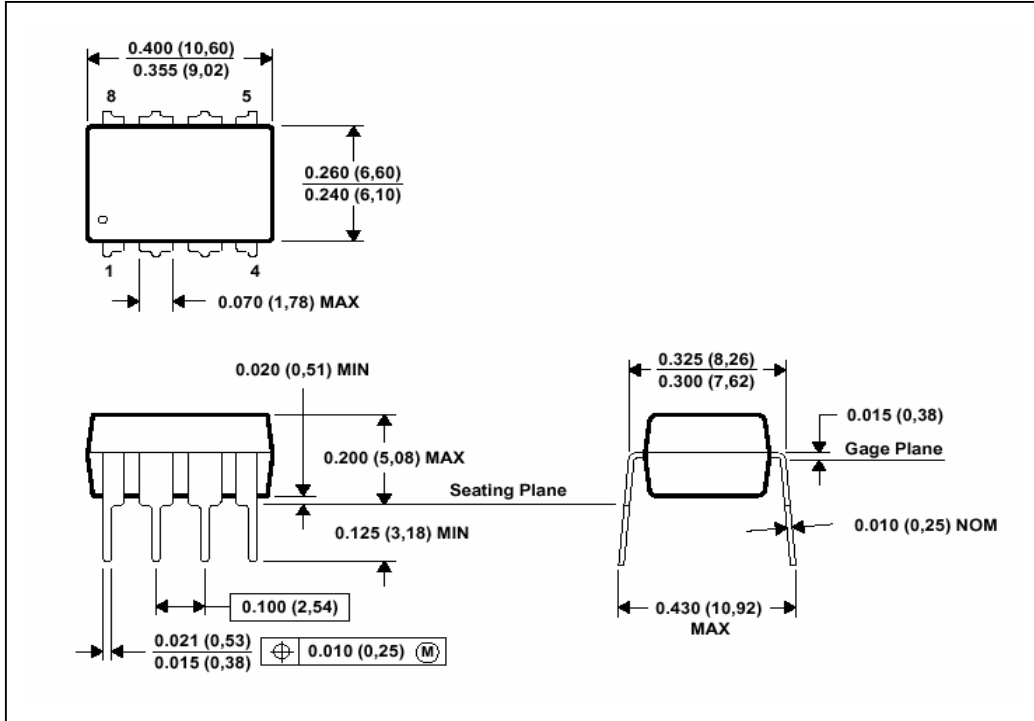


**3.) V33 / V5 / VCC OVP :**




**MECHANICAL INFORMATION**

**PLASTIC DUAL-IN-LINE 8PIN PACKAGE**

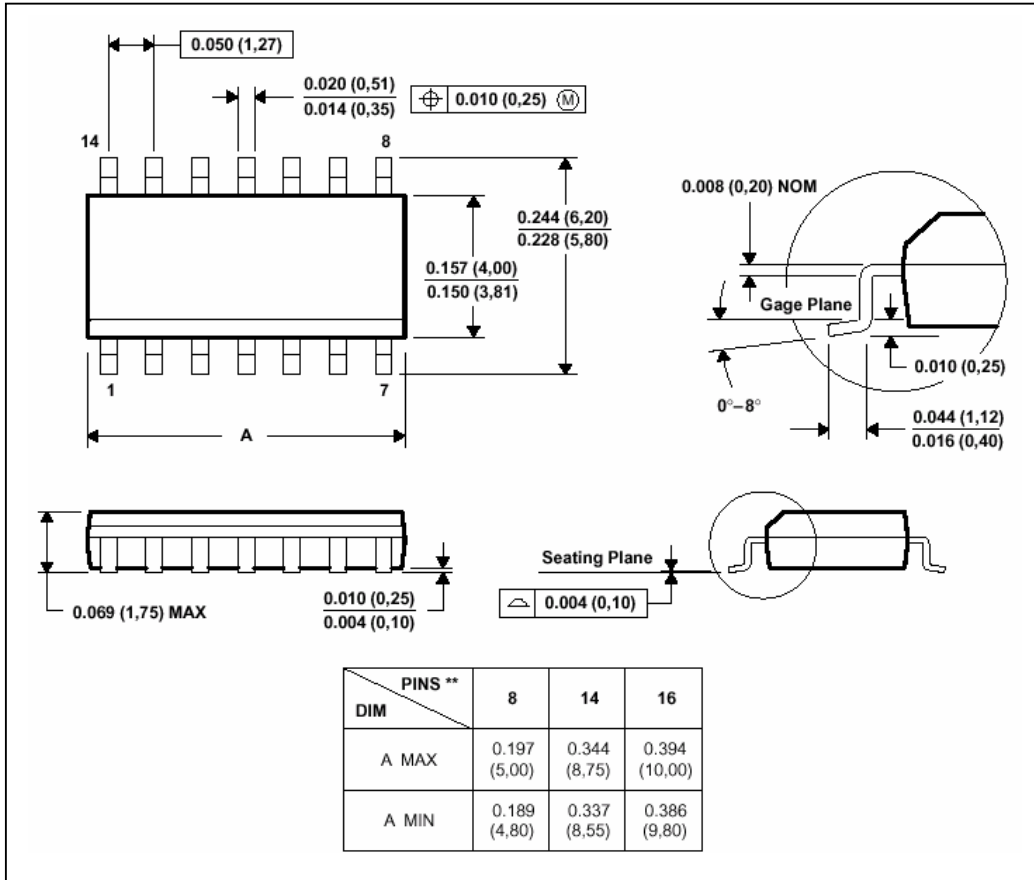


NOTE 1 : All linear dimensions are in inches ( millimeters ) .

NOTE 2 : This drawing is subject to change without notice.

NOTE 3 : Falls within JEDEC MS-001

## PLASTIC SMALL-OUTLINE 8PIN PACKAGE



NOTE 1 : All linear dimensions are in inches ( millimeters ) .

NOTE 2 : This drawing is subject to change without notice.

NOTE 3 : Falls within JEDEC MS-012